



Current Sensor / Transducer

ROHS Compliant

ELECTRICAL DATA/INPUT :

Primary Nomind R.M.S. Current Ir(A)	Primary Current Measuring Range Ip(A) at Vcc=15V	Part Name Type	Part Number
3	±9	CTC0030	CT003A
3.75	±11.25	CTC375B	CT003B
4	±12	CTC0040	CT003C
5	±15	CTC0050	CT003D
6.25	±18.75	CTC625B	CT003E
7.5	±22.5	CTC075A	CT003F
10	±30	CTC0100	CT003G
12.5	±37.5	CTC125A	CT003H
15	±45	CTC0150	CT003I
18.5	±55.5	CTC185A	CT003J
20	±60	CTC0200	CT003K
25	±75	CTC0250	CT003L
30	±90	CTC0300	CT003M
35	±105	CTC0350	CT003N
37.5	±112.5	CTC375A	CT003O
40	±120	CTC0400	CT003P
45	±135	CTC0450	CT003Q
50	±150	CTC0500	CT003R
Vcc	Supply Voltage		±15V ±5%
Ic	Current Consumption		<20mA
Vis	R.M.S. Voltage for 2.5KVAC Isolation test, 50/60Hz, 1min		<10mA
Ris	Isolation Resistance at 500 VDC		>500Mohm

ELECTRICAL DATA/OUTPUT

Vout	Output voltage at Ir,TA=25	4V
Rout	Output Impedance	<150 ohm
RL	Load Resistor	>10Kohm

ACCURACY :

X	Accuracy at Ir,TA=25 (without offset)	<1%
EL	Linearity from 0 to Ir,TA=25	<1%
VoE	Electrical Offset Voltage , TA=25	<40mV
Vom	Magnetic Offset Voltage (Ir = 0)	<15mV
Vot	Thermal Drift of Offset Voltage	<2mV/
T.C.	Thermal Drift (-10 to 50 )	<±0.1%/
Tr	Response Time @90% of Ip(f=1KHz)	<3us
fb	Frequency Bandwidth (-3dB)	50KHz

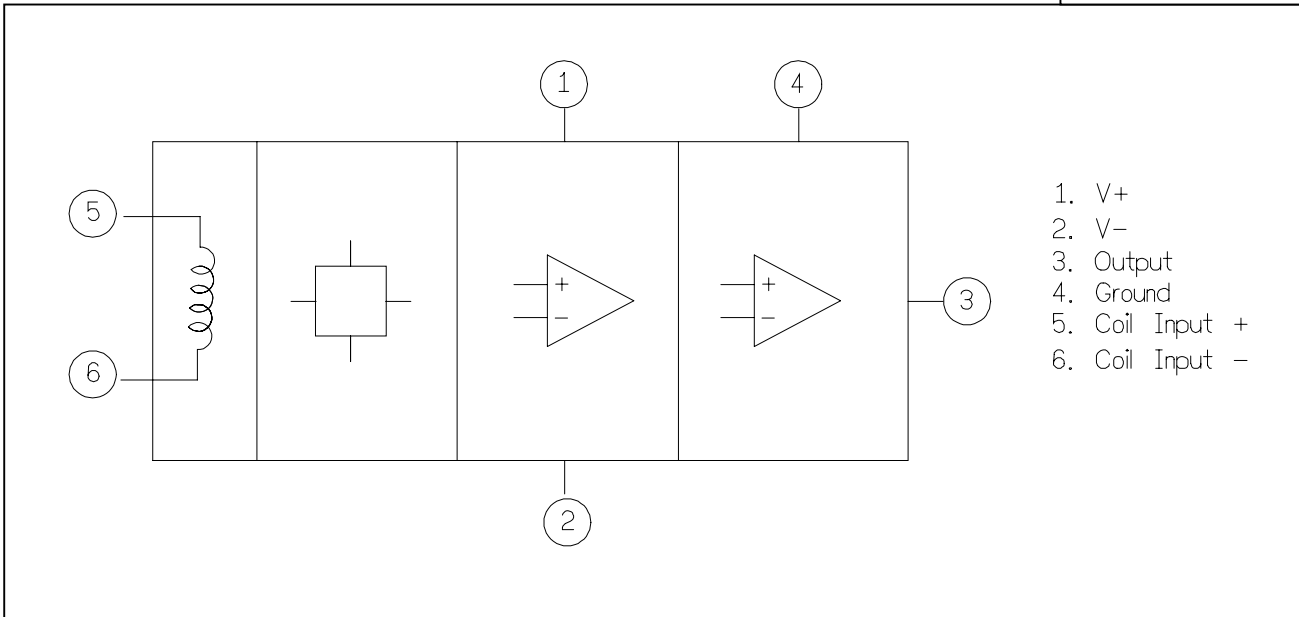
GENERAL DATA :

TA	Ambient Operating Temperature	-10 ~ +80
Ts	Ambient Storage Temperature	-25 ~ +85

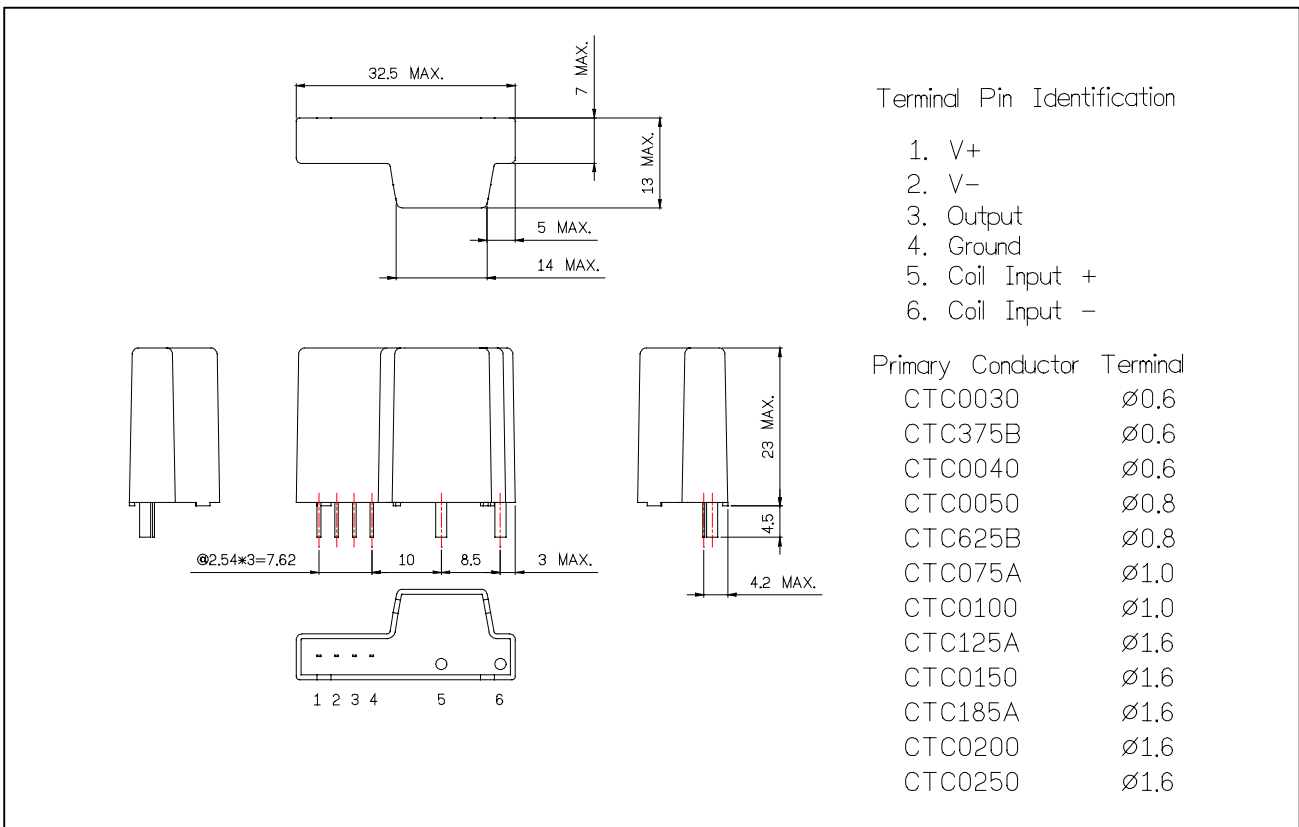


# Function Block Diagram

ROHS Compliant



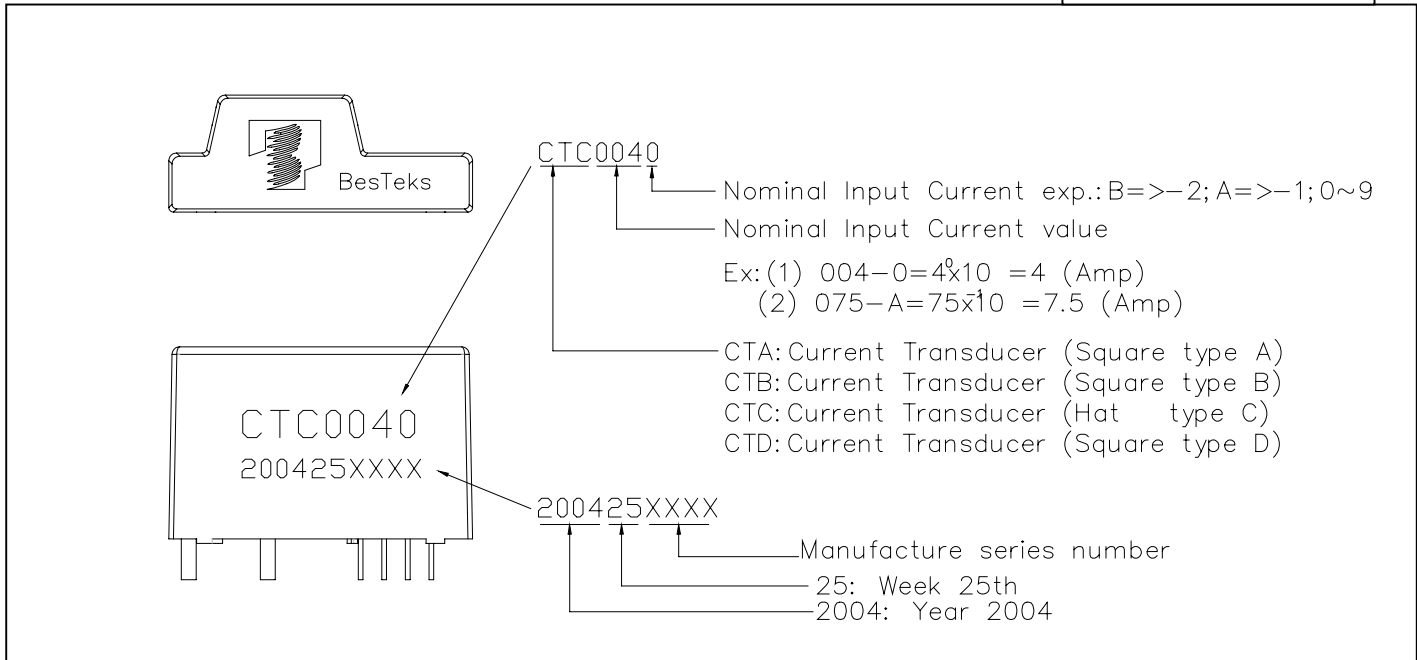
# Pin Definition



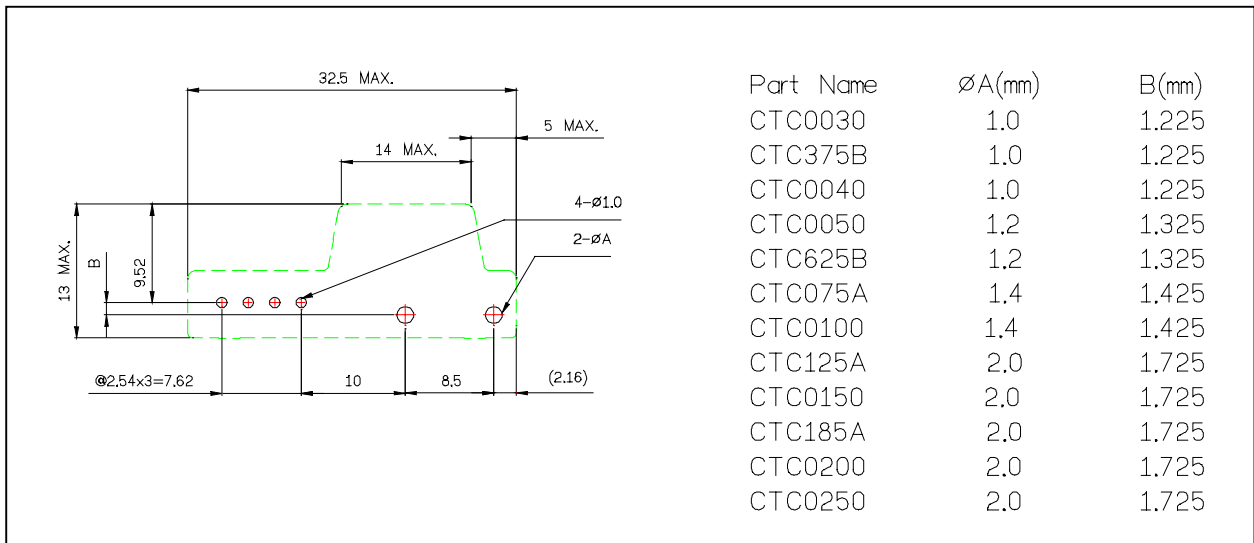


# Marking & Description

ROHS Compliant



## Hole recommend



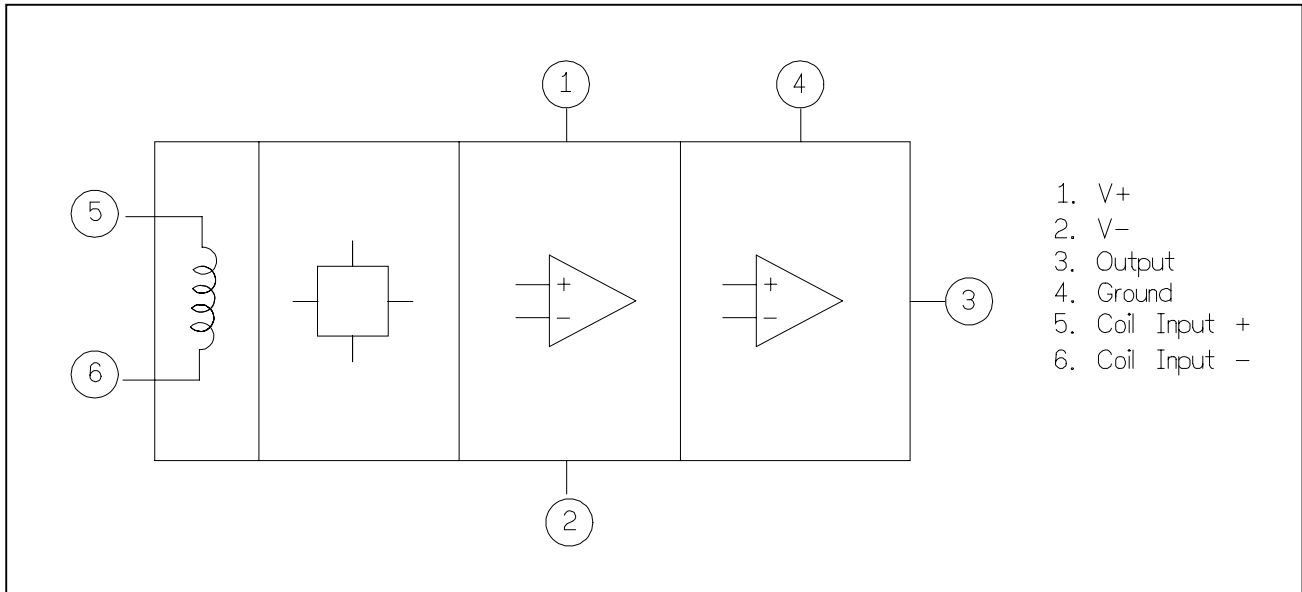
## NOTE :

1. For the purpose of quality innovation, we will change circuit, layout and even component without notice. However we assure all the performance is in accord with this data sheets' specification.
2. Our product is been qualified by our QA system, we offer 6 months guarantee period after shipping. It supplies only under the right application of the user, We make no assurance while improper operation.

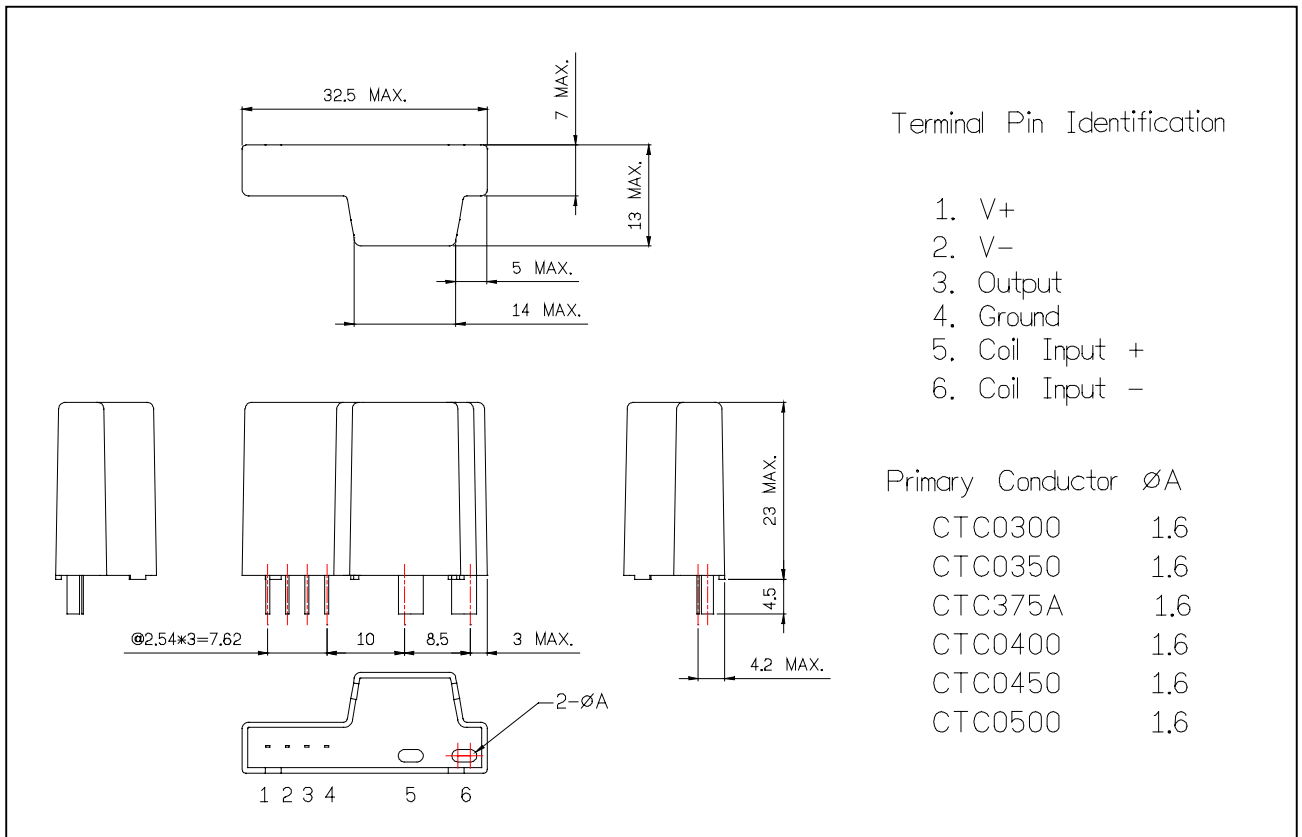


FUNCTIONAL BLOCK DIAGRAM

ROHS Compliant



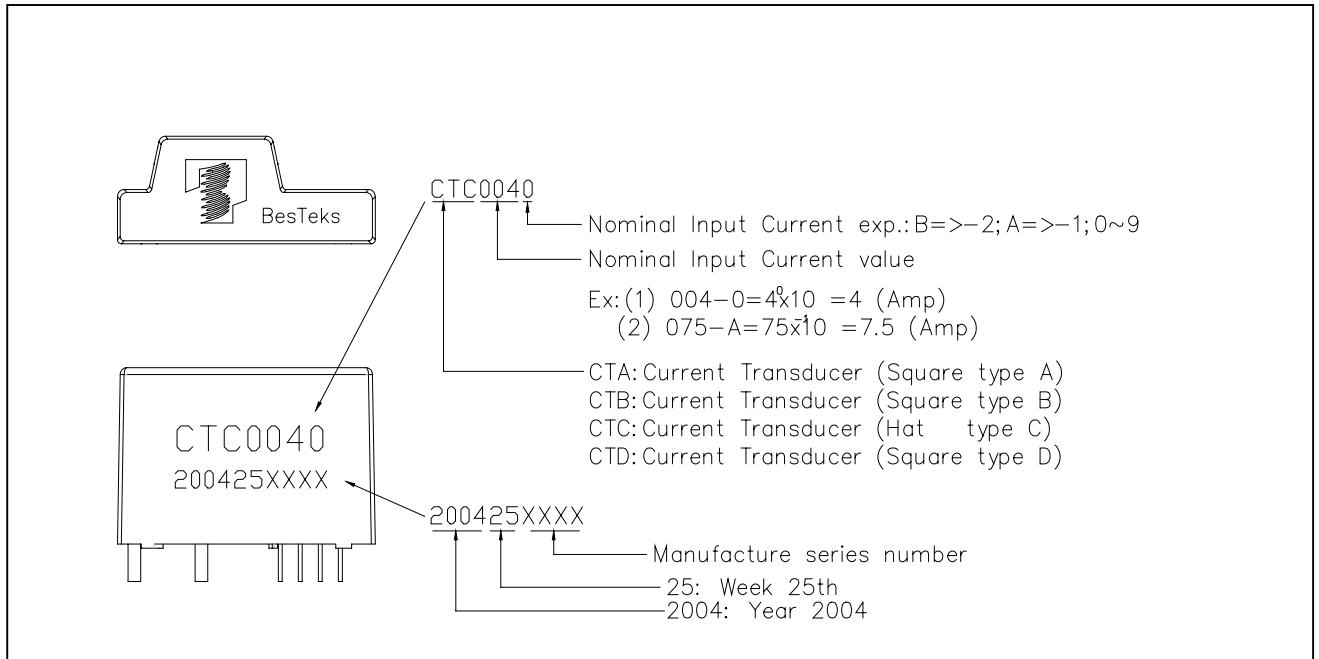
PIN DEFINITION



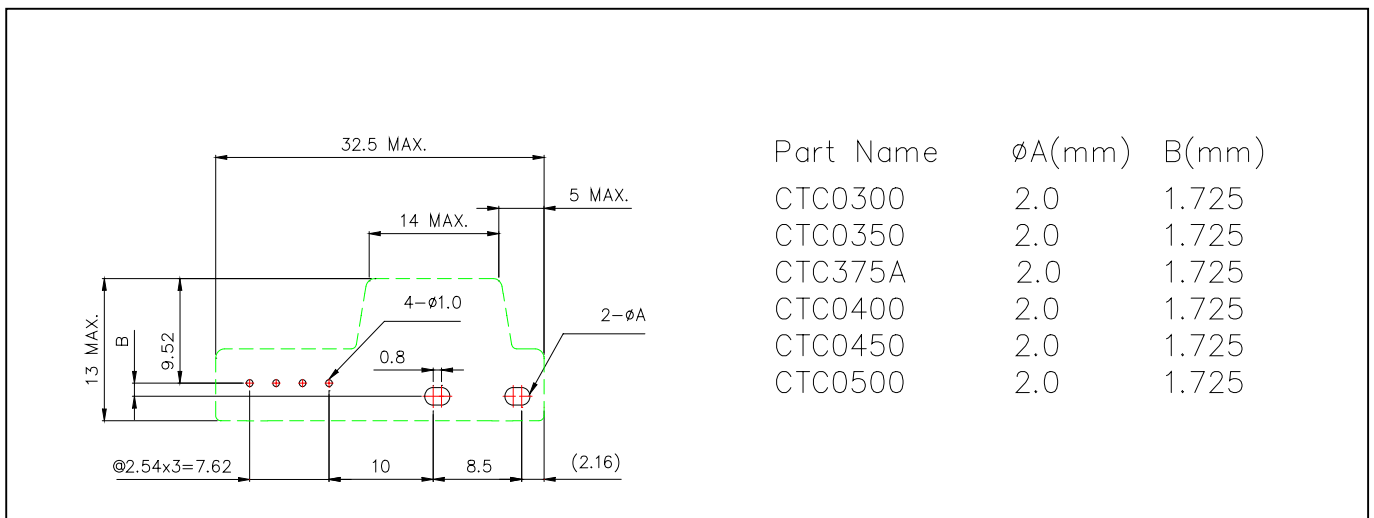


WORKING & HOW TO ORDER

ROHS Compliant



Hole recommend



NOTE :

1. For the purpose of quality innovation, we will change circuit, layout and even component without notice. However we assure all the performance is in accord with this data sheets' specification.
2. Our product is been qualified by our QA system, we offer 6 months guarantee period after shipping. It supplies only under the right application of the user, We make no assurance while improper operation.