



Current Sensor / Transducer

ROHS Compliment

ELECTRICAL DATA/INPUT :

Primary Nomind R.M.S. Current Ir(A)	Primary Current Measuring Range Ip(A) at Vcc=15V	Part Name Type	Part Number
3	±9	CTD0030	CT004A
3.75	±11.25	CTD375B	CT004B
4	±12	CTD0040	CT004C
5	±15	CTD0050	CT004D
6.25	±18.75	CTD625B	CT004E
7.5	±22.5	CTD075A	CT004F
10	±30	CTD0100	CT004G
12.5	±37.5	CTD125A	CT004H
15	±45	CTD0150	CT004I
18.5	±55.5	CTD185A	CT004J
20	±60	CTD0200	CT004K
25	±75	CTD0250	CT004L
30	±90	CTD0300	CT004M
35	±105	CTD 0350	CT004N
37.5	±112.5	CTD 375A	CT004O
40	±120	CTD 0400	CT004P
45	±135	CTD 0450	CT004Q
50	±150	CTD 0500	CT004R
Vcc	Supply Voltage		±15V ±5%
Ic	Current Consumption		<20mA
Vis	R.M.S. Voltage for 2.5KVAC Isolation test, 50/60Hz,1min		<10mA
Ris	Isolation Resistance at 500 VDC		>500Mohm

ELECTRICAL DATA/OUTPUT

Vout	Output voltage at Ir,TA=25	4V
Rout	Output Impedance	<150 ohm
RL	Load Resistor	>10Kohm

ACCURACY :

X	Accuracy at Ir,TA=25 (without offset)	<1%
EL	Linearity from 0 to Ir,TA=25	<1%
Voe	Electrical Offset Voltage , TA=25	<40mV
Vom	Magnetic Offset Voltage (Ir = 0)	<15mV
Vot	Thermal Drift of Offset Voltage	<2mV/
T.C.	Thermal Drift (-10 to 50)	<±0.1%/
Tr	Response Time @90% of Ip(f=1KHz)	<3uS
fb	Frequency Bandwidth (-3dB)	50KHz

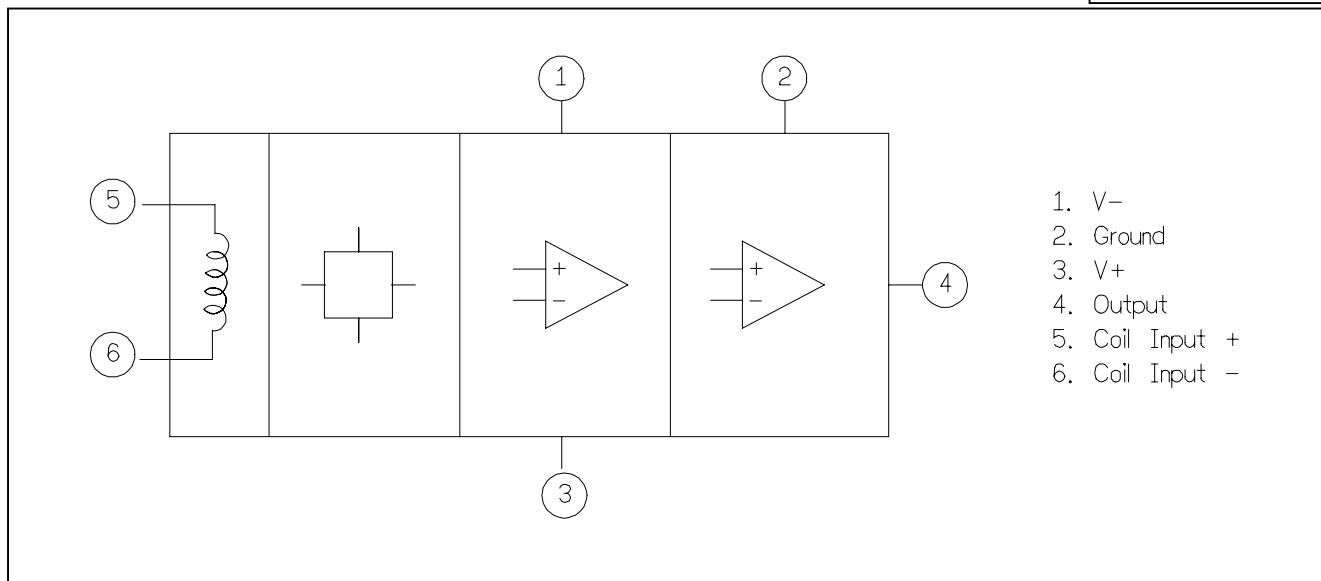
GENERAL DATA :

TA	Ambient Operating Temperature	-10 ~ +80
Ts	Ambient Storage Temperature	-25 ~ +85



Function Block Diagram

ROHS Compliment



Pin Difinition

DIMENSIONS:(mm)

Terminal Pin Identification

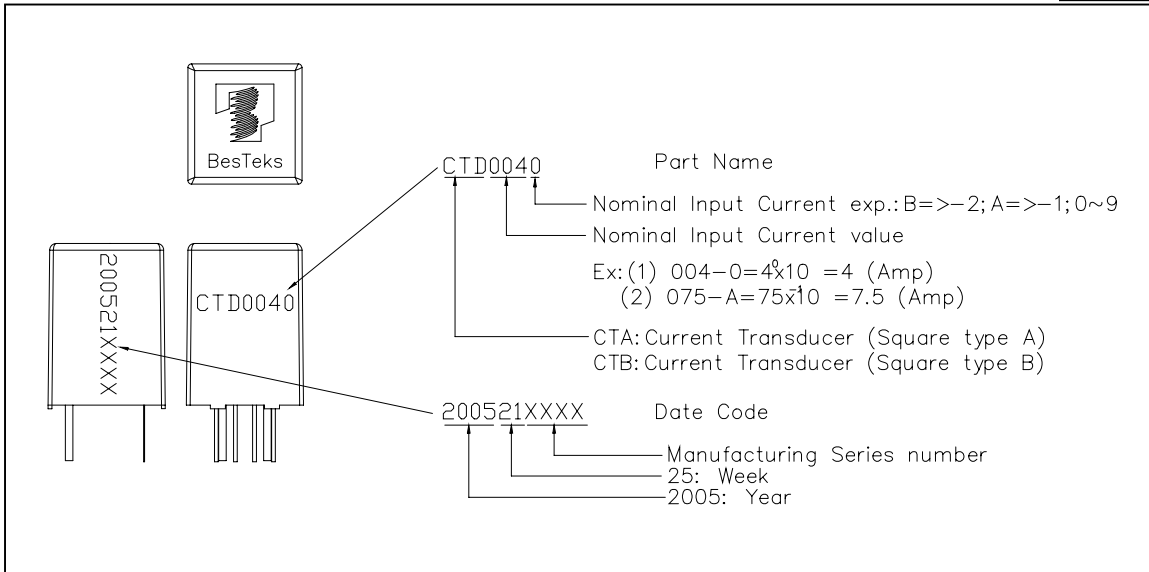
1. V-
2. Ground
3. V+
4. Output
5. Coil Input +
6. Coil Input -

Primary Conductor Terminal	Terminal Pin Identification
CTD0030	ø0.6
CTD375B	ø0.6
CTD0040	ø0.6
CTD0050	ø0.8
CTD625B	ø0.8
CTD075A	ø1.0
CTD0100	ø1.0
CTD125A	ø1.6
CTD0150	ø1.6
CTD185A	ø1.6
CTD0200	ø1.6
CTD0250	ø1.6
CTD0300	ø2.2
CTD0350	ø2.2
CTD375A	ø2.2
CTD0400	ø2.2
CTD0450	ø2.2
CTD0500	ø2.2

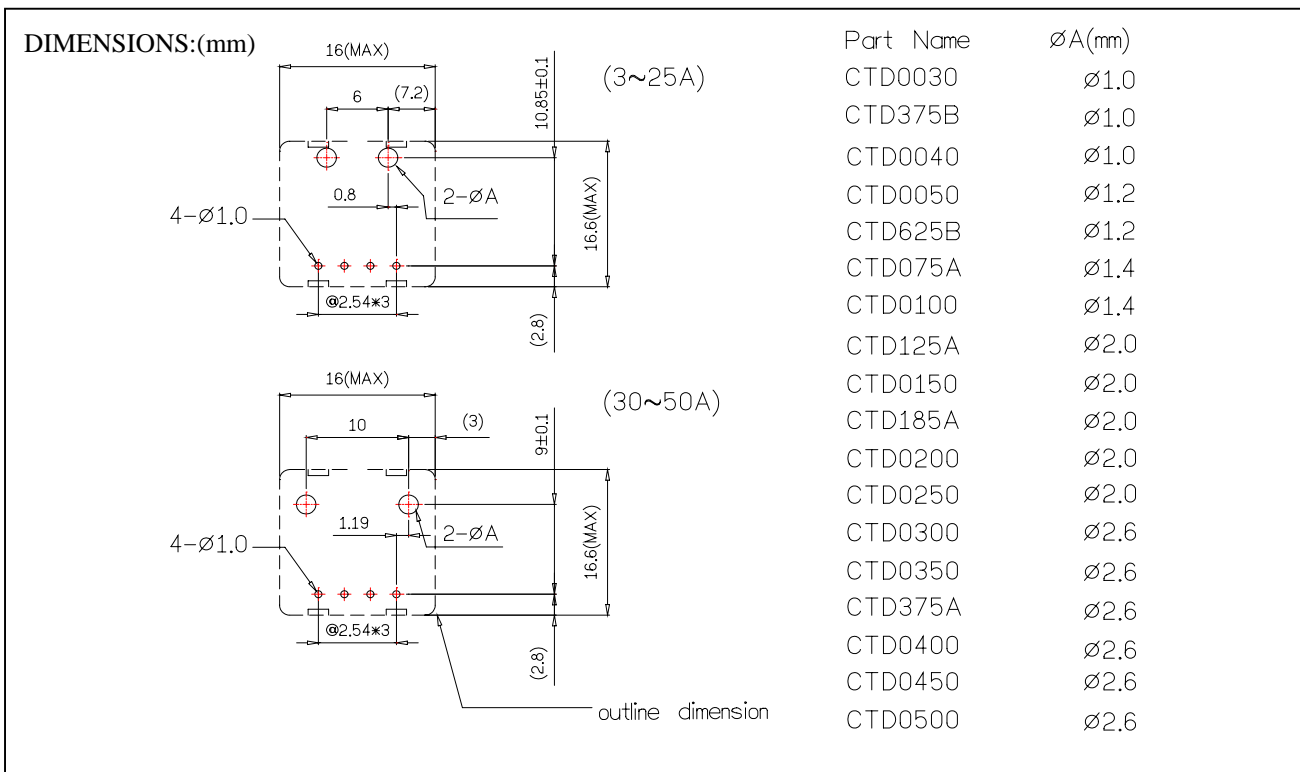


Marking & Order Information

ROHS Compliment



Hole recommendation



NOTE :

1. For the purpose of quality innovation, we will change circuit, layout and even component without notice. However we assure all the performance is in accord with this data sheets specification.
2. Our product is been qualified by our QA system, we offer 6 months guarantee period after shipping. It supplies only under the right application of the user, We make no assurance while improper operation.