



Current Sensor / Transducer

ROHS Compliant

ELECTRICAL DATA/INPUT :

Primary Nomind R.M.S. Current Ir(A)	Primary Current Measuring Range Ip(A) at Vcc=15V	Part Name Type	Part Number
50	±150	CTG0500-FF	CT007A-FF
100	±300	CTG1000-FF	CT007B-FF
200	±600	CTG2000-FF	CT007C-FF
300	±900	CTG3000-FF	CT007D-FF
400	±900	CTG4000-FF	CT007E-FF
500	±900	CTG5000-FF	CT007F-FF
600	±900	CTG6000-FF	CT007G-FF
Vcc	Supply Voltage		±15V ±5%
Ic	Current Consumption		<20mA
Vis	R.M.S. Voltage for 2.5KVAC Isolation test, 50/60Hz,1min		<10mA
Ris	Isolation Resistance at 500 VDC		>500Mohm

ELECTRICAL DATA/OUTPUT

Vout	Output voltage at Ir,TA=25	4V
Rout	Output Impedance	<150 ohm
RL	Load Resistor	>10Kohm

ACCURACY :

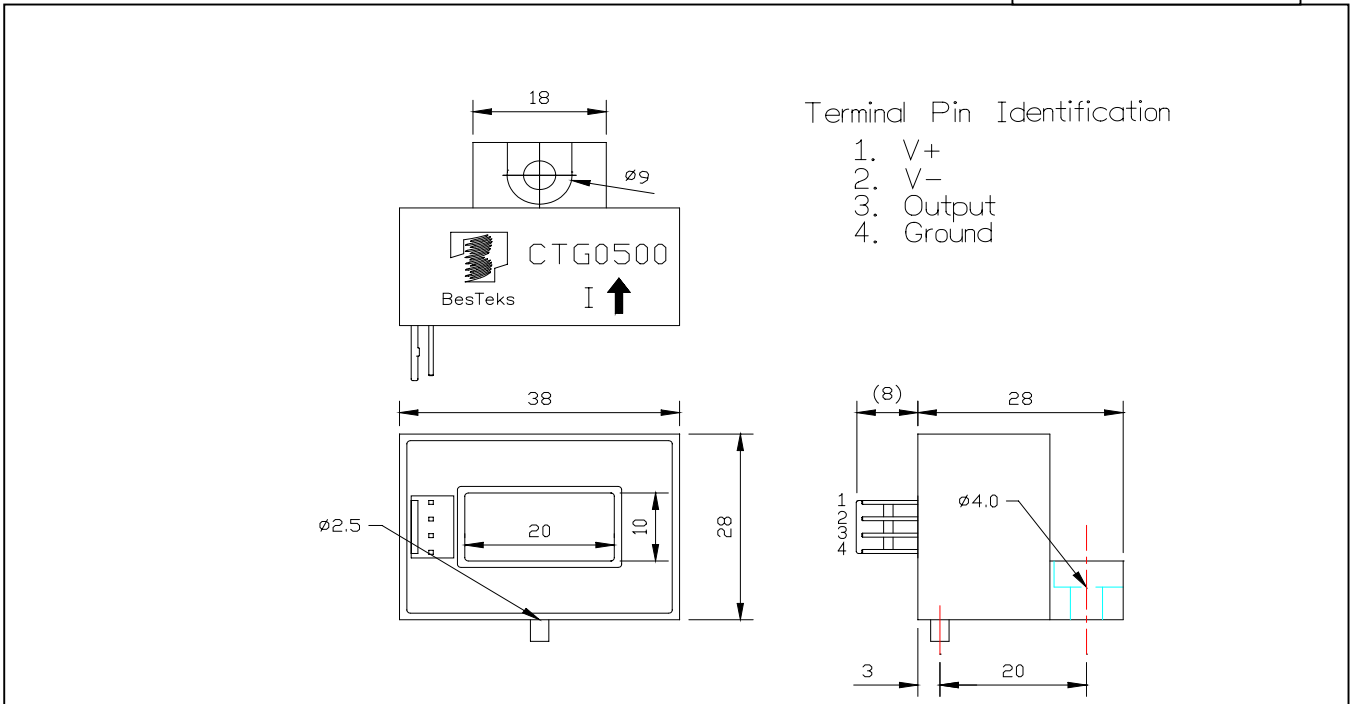
X	Accuracy at Ir,TA=25 (without offset)	<1%
EL	Linearity from 0 to Ir,TA=25	<1%
Voe	Electrical Offset Voltage , TA=25	<40mV
Vom	Magnetic Offset Voltage (Ir = 0)	<±15mV
Vot	Thermal Drift of Offset Voltage	<2mV/
T.C.	Thermal Drift (-10 to 50)	<±0.1%/
Tr	Response Time @90% of Ip(f=1KHz)	<3uS
fb	Frequency Bandwidth (-3dB)	50KHz

GENERAL DATA :

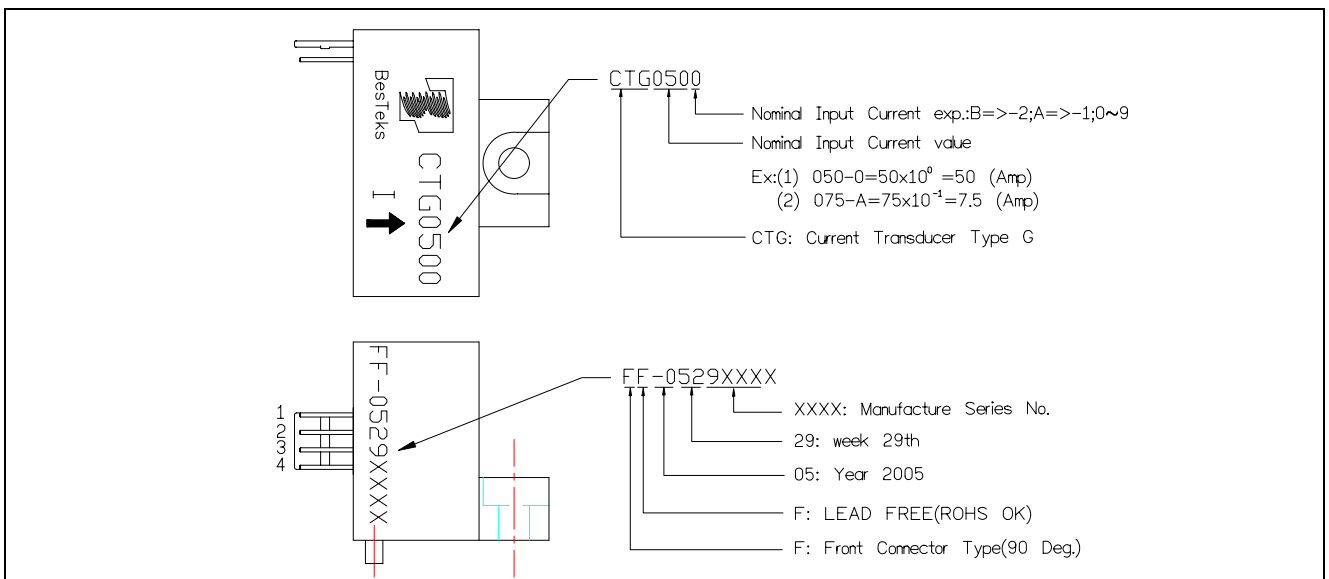
TA	Ambient Operating Temperature	-10 ~ +80
Ts	Ambient Storage Temperature	-25 ~ +85

Pin Definition(all tolerance:±0.5)

ROHS Compliant



Marking & Order Information



NOTE :

1. For the purpose of quality innovation, we will change circuit, layout and even components without notice. However we assure all the performance is in accord with this data sheets' specification.
2. Our product is been qualified by our QA system, we offer 6 months guarantee period after shipping. It supplies only under the right application of the user, We make no assurance while improper operation.