



## Current Sensor / Transducer

### ELECTRICAL DATA/INPUT :

Primary Nomind R.M.S. Current Ir(A)	Primary Current Measuring Range Ip(A) at Vcc=15V	Part Name Type	Part Number
3	±9	CTH0030	CT008A
3.75	±11.25	CTH375B	CT008B
4	±12	CTH0040	CT008C
5	±15	CTH0050	CT008D
6.25	±18.75	CTH625B	CT008E
7.5	±22.5	CTH075A	CT008F
10	±30	CTH0100	CT008G
12.5	±37.5	CTH125A	CT008H
15	±45	CTH0150	CT008I
18.5	±55.5	CTH185A	CT008J
20	±60	CTH0200	CT008K
25	±75	CTH0250	CT008L
30	±90	CTH0300	CT008M
35	±105	CTH0350	CT008N
37.5	±112.5	CTH375A	CT008O
40	±120	CTH0400	CT008P
45	±135	CTH0450	CT008Q
50	±150	CTH0500	CT008R
Vcc	Supply Voltage		±15V ±5%
Ic	Current Consumption		<60mA
Vis	R.M.S. Voltage for 2.5KVAC Isolation test, 50/60Hz,1min		<10mA
Ris	Isolation Resistance at 500 VDC		>500Mohm

### ELECTRICAL DATA/OUTPUT

Vout	Output voltage at Ir,TA=25	4V
Rout	Output Impedance	<150 ohm
RL	Load Resistor	>10Kohm

### ACCURACY :

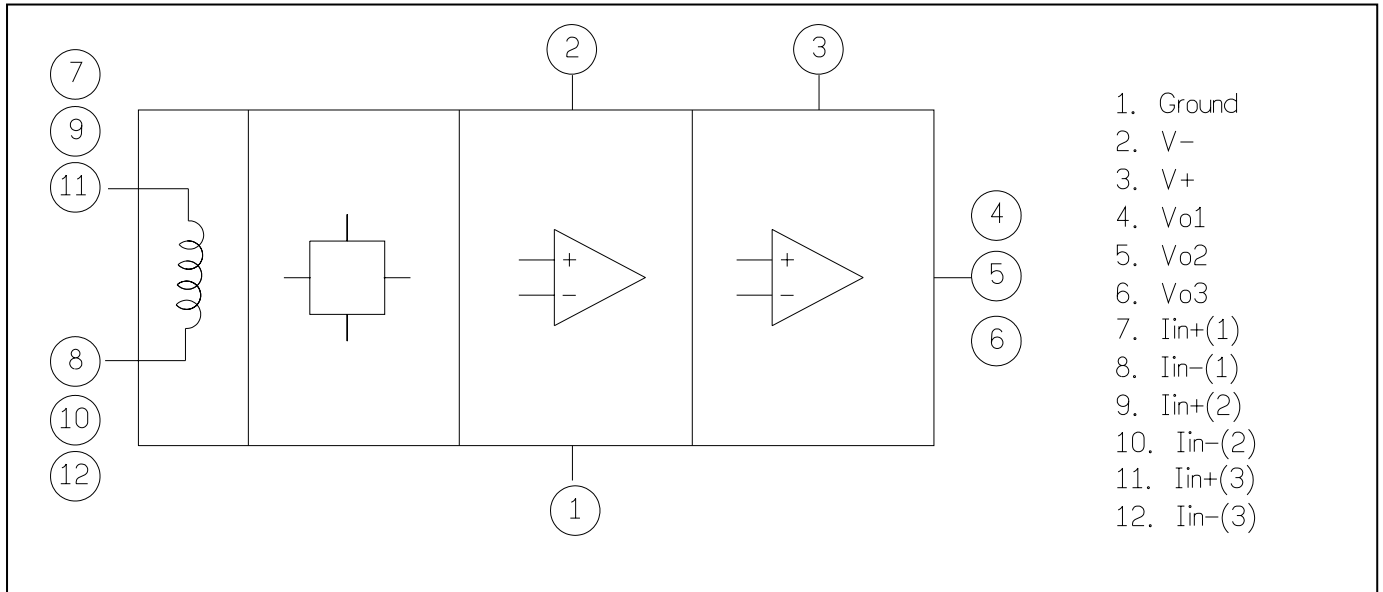
X	Accuracy at Ir,TA=25 (without offset)	<1%
EL	Linearity from 0 to Ir,TA=25	<1%
Voe	Electrical Offset Voltage , TA=25	<40mV
Vom	Magnetic Offset Voltage (Ir = 0)	<15mV
Vot	Thermal Drift of Offset Voltage	<±2mV/
T.C.	Thermal Drift (-10 to 50 )	<±0.1%/
Tr	Response Time @90% of Ip(f=1KHz)	<3Us
fb	Frequency Bandwidth (-3dB)	50KHz

### GENERAL DATA :

TA	Ambient Operating Temperature	-10 ~ +80
Ts	Ambient Storage Temperature	-25 ~ +85

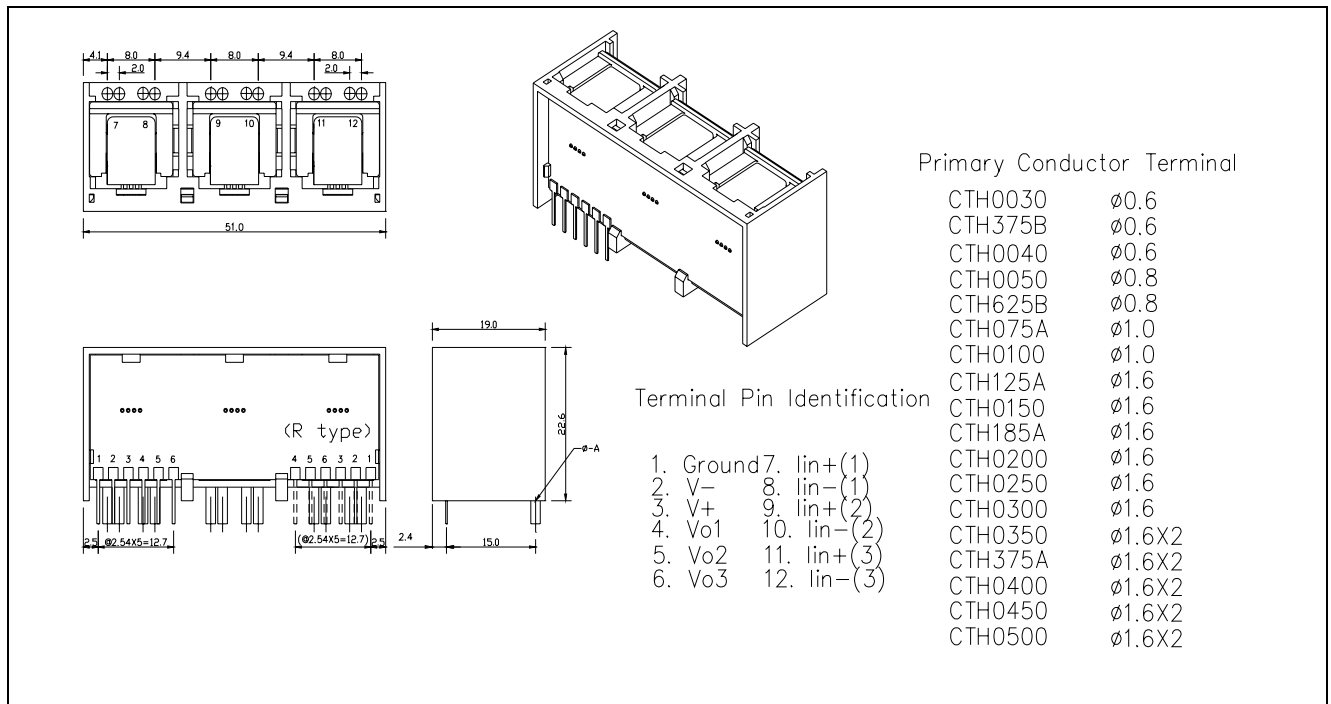


### Function Block Diagram



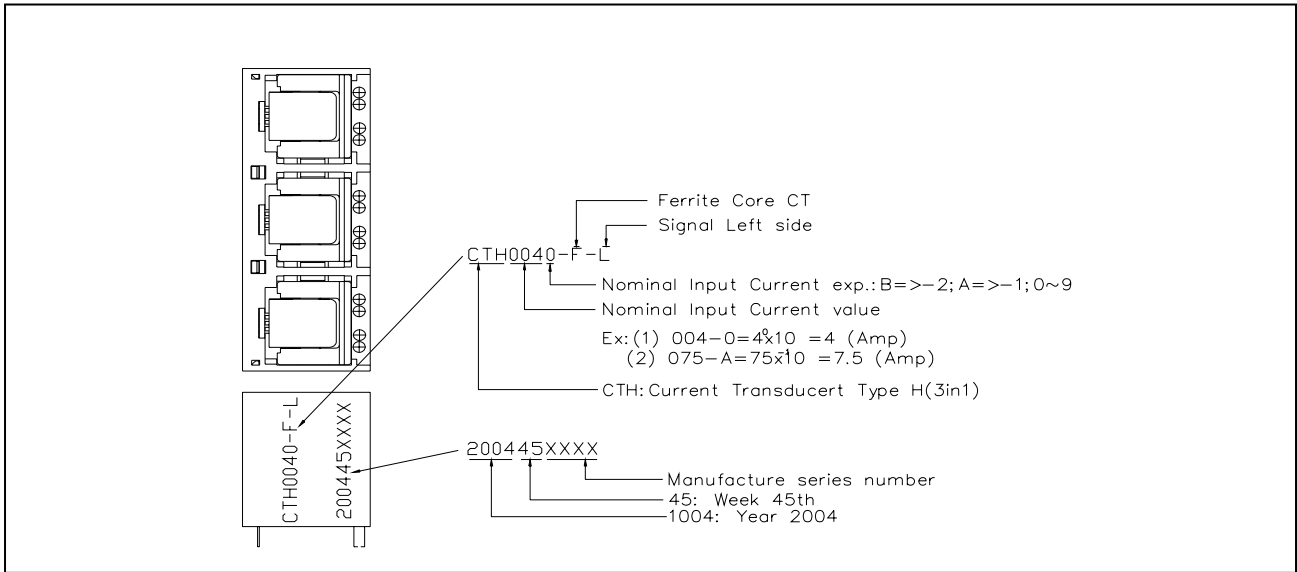
### Pin Definition

DIMENSIONS:(mm) ; Tolerance: ±0.3mm

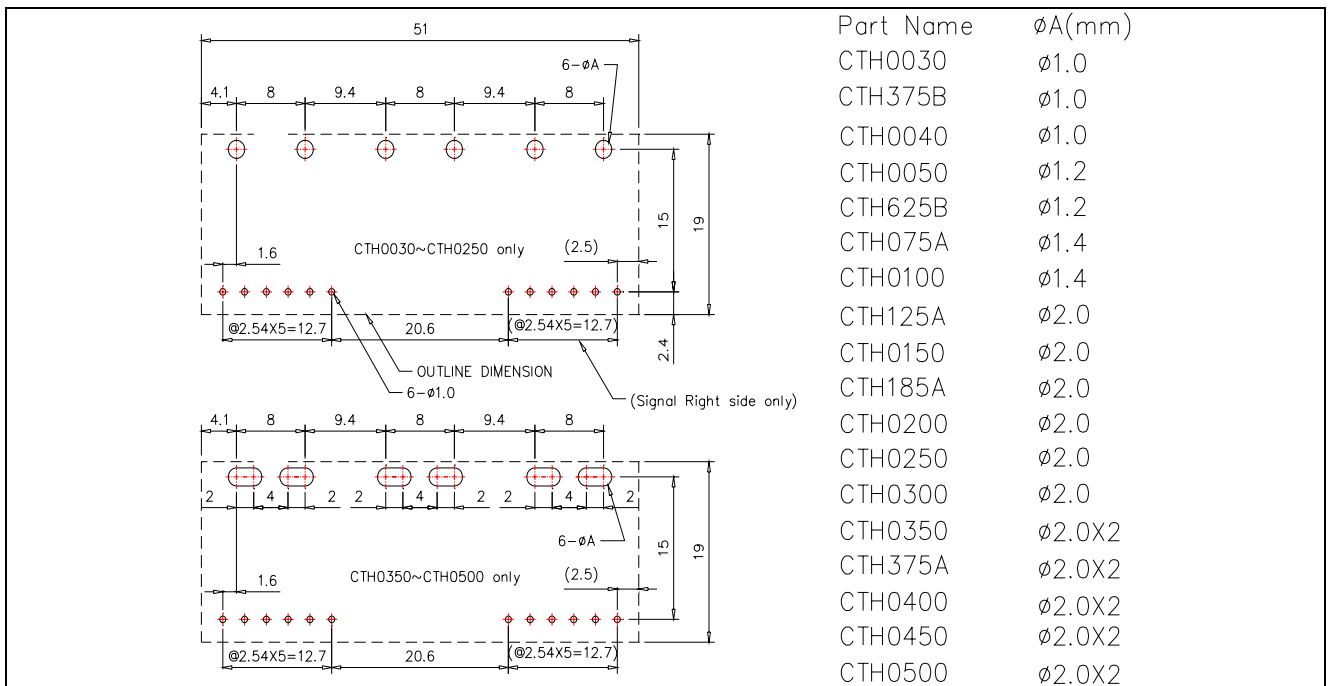




# Marking & Description



# Hole recommend DIMENSIONS:(mm) ; Tolerance: ±0.3mm



### NOTE :

1. For the purpose of quality innovation, we will change circuit, layout and even component without notice. However we assure all the performance is in accord with this data sheets specification.
2. Our product is been qualified by our QA system, we offer 6 months guarantee period after shipping. It supplies only under the right application of the user, We make no assurance while improper operation.