



Current Sensor / Transducer

ELECTRICAL DATA/INPUT :

Primary Nomind R.M.S. Current Ir(A)	Primary Current Measuring Range Ip(A) at Vcc=15V	Part Name Type	Part Number
3	±9	CTI0030	CT009A
3.75	±11.25	CTI375B	CT009B
4	±12	CTI0040	CT009C
5	±15	CTI0050	CT009D
6.25	±18.75	CTI625B	CT009E
7.5	±22.5	CTI075A	CT009F
10	±30	CTI0100	CT009G
12.5	±37.5	CTI125A	CT009H
15	±45	CTI0150	CT009I
18.5	±55.5	CTI185A	CT009J
20	±60	CTI0200	CT009K
25	±75	CTI0250	CT009L
30	±90	CTI0300	CT009M
35	±105	CTI0350	CT009N
37.5	±112.5	CTI375A	CT009O
40	±120	CTI0400	CT009P
45	±135	CTI0450	CT009Q
50	±150	CTI0500	CT009R
Vcc	Supply Voltage		±15V ±5%
Ic	Current Consumption		<20mA
Vis	R.M.S. Voltage for 2.5KVAC Isolation test, 50/60Hz,1min		<10mA
Ris	Isolation Resistance at 500 VDC		>500Mohm

ELECTRICAL DATA/OUTPUT

Vout	Output voltage at Ir,TA=25	4V
Rout	Output Impedance	<150 ohm
RL	Load Resistor	>10Kohm

ACCURACY :

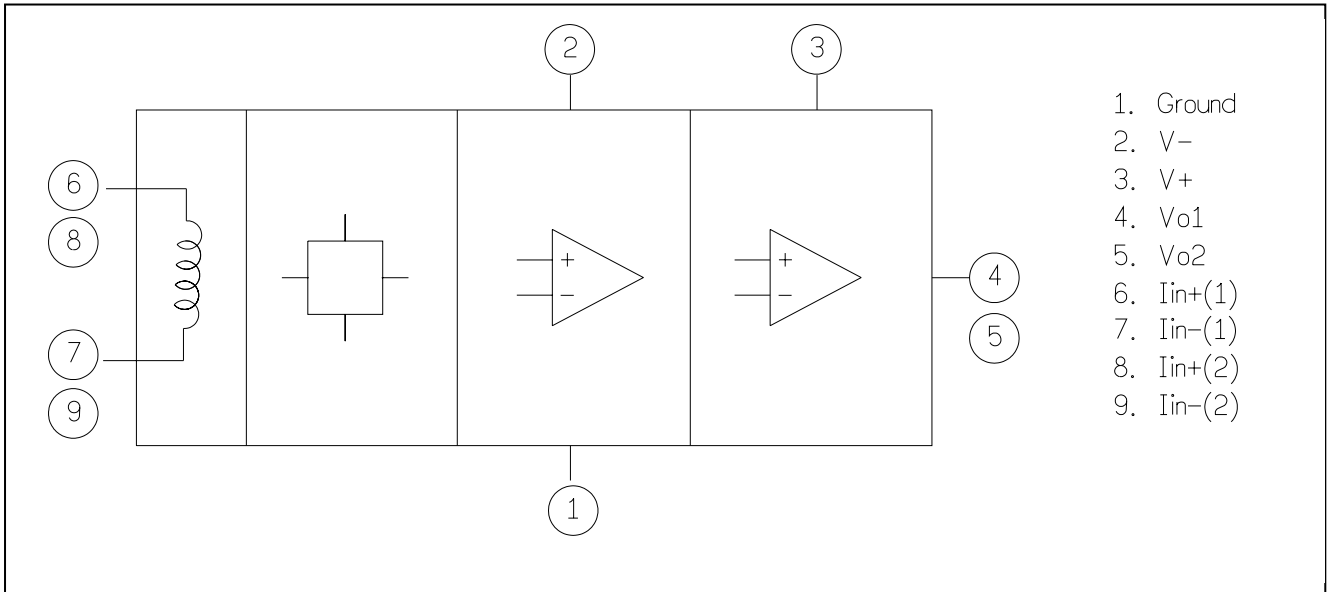
X	Accuracy at Ir,TA=25 (without offset)	<1%
EL	Linearity from 0 to Ir,TA=25	<1%
Voe	Electrical Offset Voltage , TA=25	<40mV
Vom	Magnetic Offset Voltage (Ir = 0)	<15mV
Vot	Thermal Drift of Offset Voltage	<2mV/
T.C.	Thermal Drift (-10 to 50 )	<±0.1%/
Tr	Response Time @90% of Ip(f=1KHz)	<3uS
fb	Frequency Bandwidth (-3dB)	50KHz

GENERAL DATA :

TA	Ambient Operating Temperature	-10 ~ +80
Ts	Ambient Storage Temperature	-25 ~ +85



### Function Block Diagram



### Pin Definition

DIMENSIONS:(mm) ; Tolerance: ±0.3mm

Primary Conductor Terminal

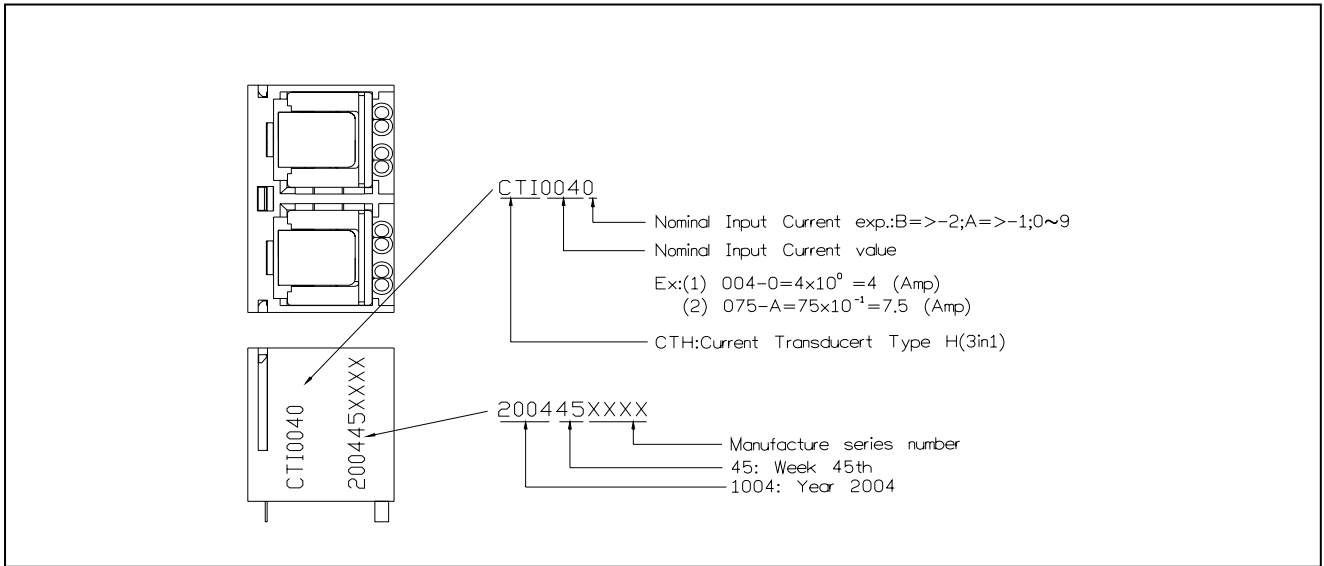
CTI0030	∅0.6
CTI375B	∅0.6
CTI0040	∅0.6
CTI0050	∅0.8
CTI625B	∅0.8
CTI075A	∅1.0
CTI0100	∅1.0
CTI125A	∅1.6
CTI0150	∅1.6
CTI185A	∅1.6
CTI0200	∅1.6
CTI0250	∅1.6
CTI0300	∅1.6X2
CTI0350	∅1.6X2
CTI375A	∅1.6X2
CTI0400	∅1.6X2
CTI0450	∅1.6X2
CTI0500	∅1.6X2

Terminal Pin Identification

1. Ground
2. V-
3. V+
4. Vo1
5. Vo2
6. Iin+(1)
7. Iin-(1)
8. Iin+(2)
9. Iin-(2)

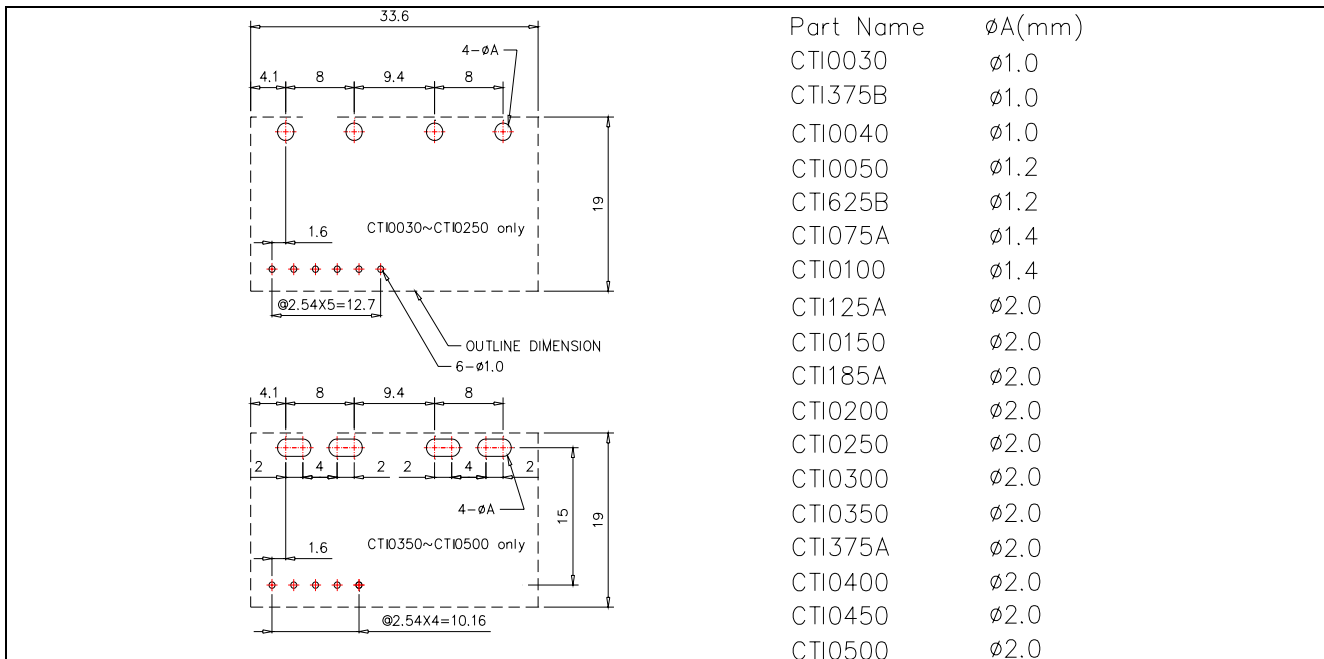


# Marking & Description



# Hole recommend

DIMENSIONS:(mm) ; Tolerance: ±0.3mm



### NOTE :

1. For the purpose of quality innovation, we will change circuit, layout and even component without notice. However we assure all the performance is in accord with this data sheets specification.
2. Our product is been qualified by our QA system, we offer 6 months guarantee period after shipping. It supplies only under the right application of the user, We make no assurance while improper operation.