



Current Sensor / Transducer



**ELECTRICAL DATA/INPUT :**

Primary Nominal R.M.S. Current(±) Ir(A)	Primary Current Measuring Range(+) Ip(A) at Vcc=15V	Part Name Type	Part Number
3	9	CTM0030	CT013A-C
3.75	11.25	CTM375B	CT013B-C
4	12	CTM0040	CT013C-C
5	15	CTM0050	CT013D-C
6.25	18.75	CTM625B	CT013E-C
7.5	22.5	CTM075A	CT013F-C
10	30	CTM0100	CT013G-C
12.5	37.5	CTM125A	CT013H-C
15	45	CTM0150	CT013I-C
18.5	55.5	CTM185A	CT013J-C
20	60	CTM0200	CT013K-C
25	75	CTM0250	CT013L-C
30	90	CTM0300	CT013M-C
35	105	CTM0350	CT013N-C
37.5	112.5	CTM375A	CT013O-C
40	120	CTM0400	CT013P-C
45	135	CTM0450	CT013Q-C
50	150	CTM0500	CT013R-C
Vcc	Supply Voltage		15V ±5%
Ic	Current Consumption		<20Ma
Vis	R.M.S. Voltage for 2.5KVAC Isolation test, 50/60Hz, 1min		<10mA
Ris	Isolation Resistance at 500 VDC		>500Mohm

**ELECTRICAL DATA/OUTPUT**

Vout	Output voltage at Ir,TA=25	Voe±2V
Rout	Output Impedance	<150 ohm
RL	Load Resistor	>10Kohm

**ACCURACY :**

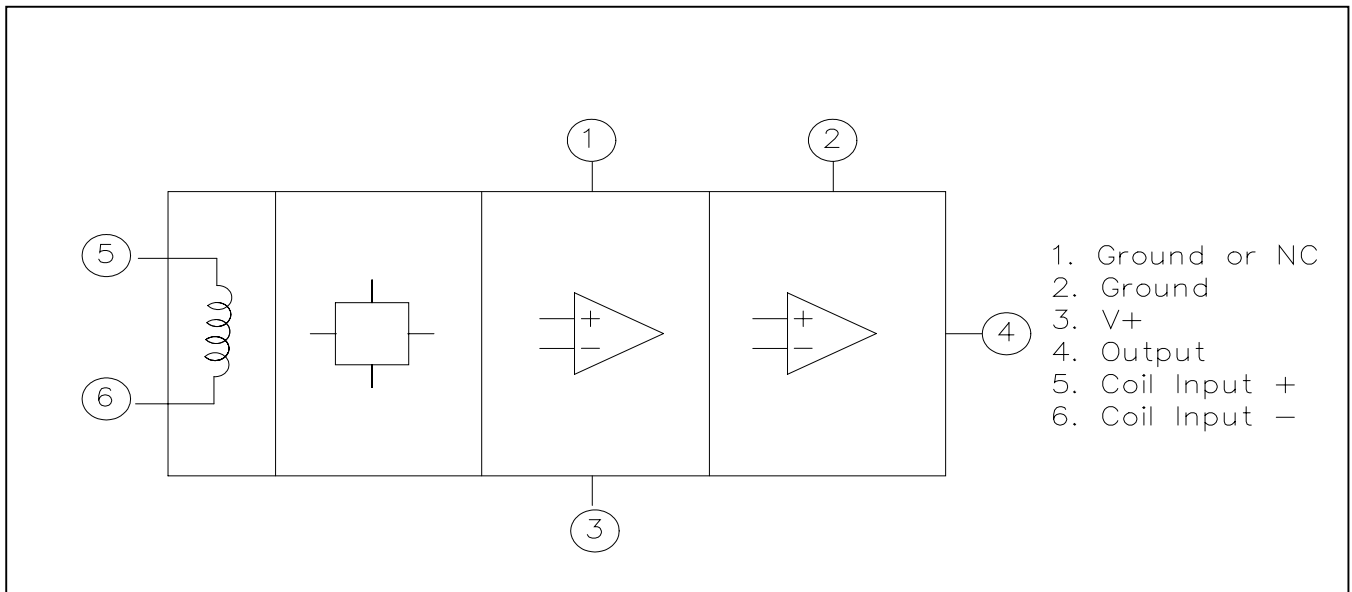
X	Accuracy at Ir,TA=25 (without offset)	<±1%
EL	Linearity from 0 to Ir,TA=25	<±1%
Voe	Electrical Offset Voltage , TA=25	2.5V±50mV
Vom	Magnetic Offset Voltage (Ir = 0)	<20mV
Vot	Thermal Drift of Offset Voltage	<2mV/
T.C.	Thermal Drift (-10 to 50 )	<±0.1%/
Tr	Response Time @90% of Ip(f=1KHz)	<3uS
fb	Frequency Bandwidth (-3dB)	50KHz

**GENERAL DATA :**

TA	Ambient Operating Temperature	-10 ~ +80
Ts	Ambient Storage Temperature	-25 ~ +85

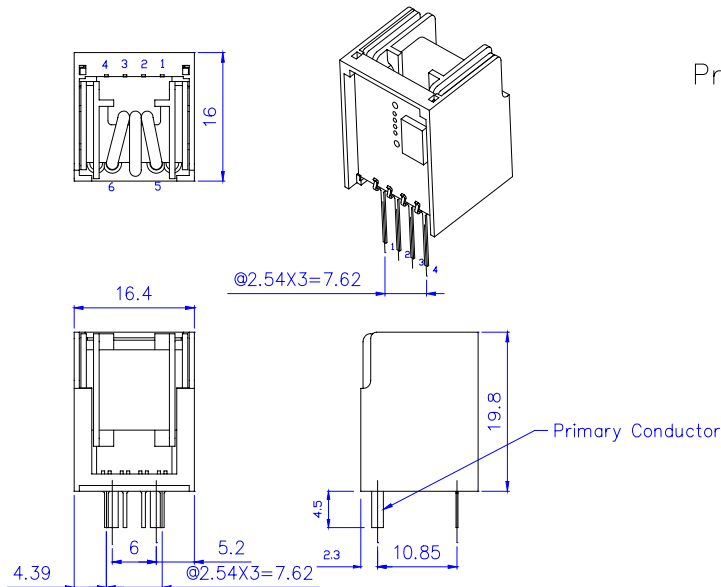


# Function Block Diagram



# Pin Definition

Unit: mm ; Tolerance:±0.3mm



### Terminal Pin Identification

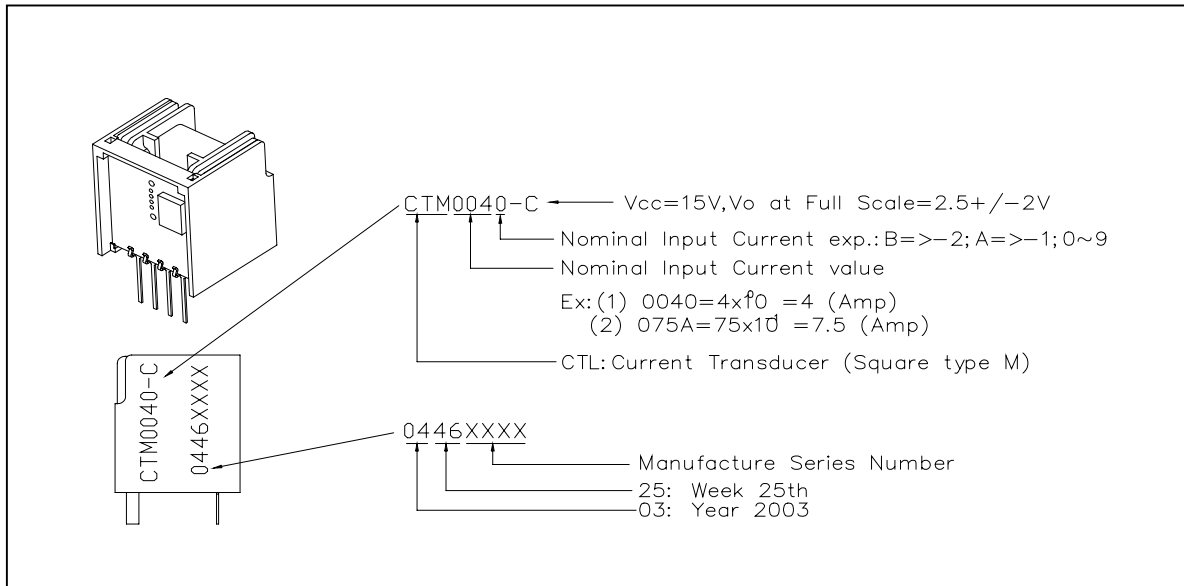
- 1. Ground or NC
- 2. Ground
- 3. V+
- 4. Output
- 5. Current Input +
- 6. Current Output -

### Primary Conductor Terminal

CTM0030	∅0.6
CTM375B	∅0.6
CTM0040	∅0.6
CTM0050	∅0.8
CTM625B	∅0.8
CTM075A	∅1.0
CTM0100	∅1.0
CTM125A	∅1.6
CTM0150	∅1.6
CTM185A	∅1.6
CTM0200	∅1.6
CTM0250	∅1.6
CTM0300	∅1.6
CTM0350	∅1.6X2
CTM375A	∅1.6X2
CTM0400	∅1.6X2
CTM0450	∅1.6X2
CTM0500	∅1.6X2

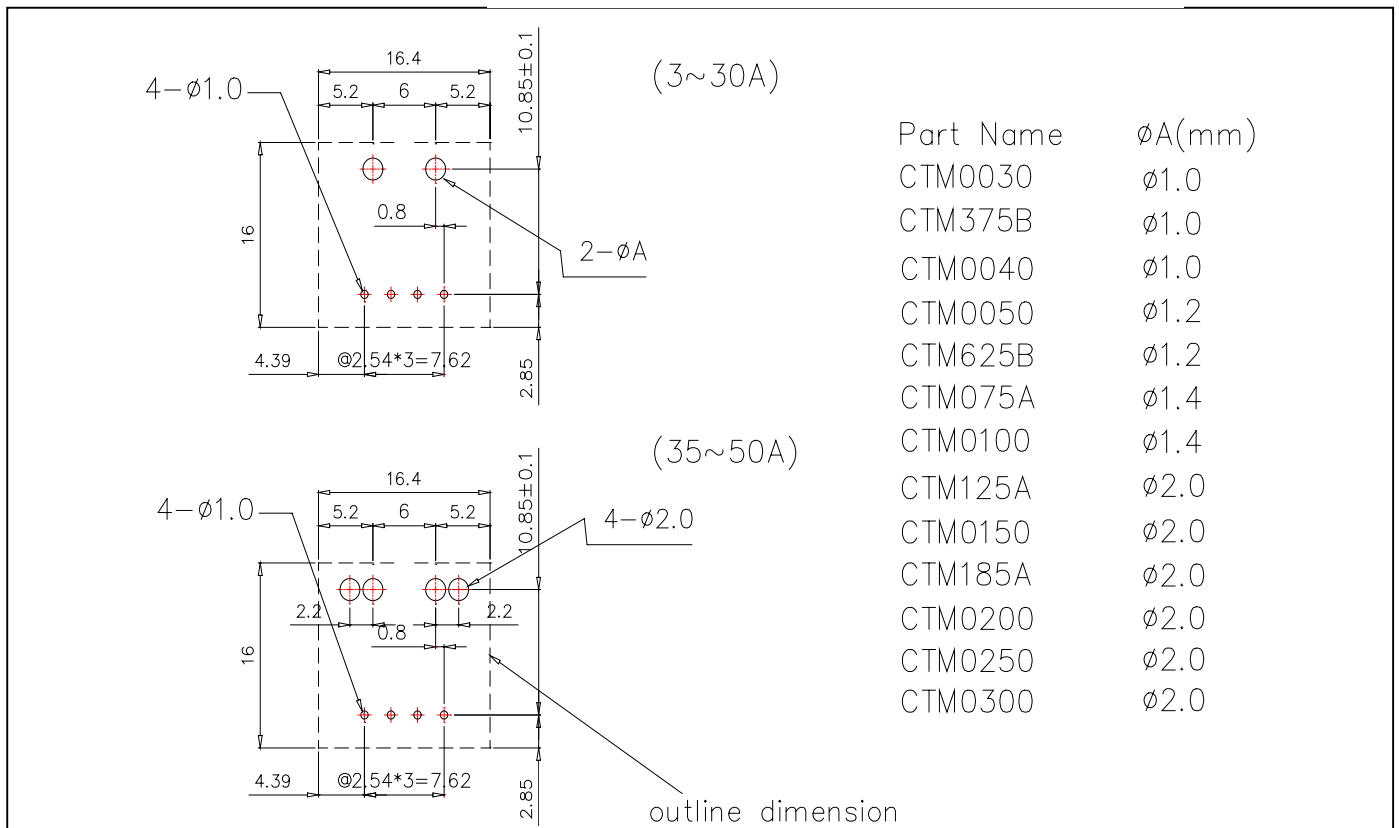


## Marking & Description



## Layout recommend

Unit: mm ; Tolerance:±0.3mm unless described



### NOTE :

1. For the purpose of quality innovation, we will change circuit, layout and even component without notice. However we assure all the performance is in accord with this data sheets specification.
2. Our product is been qualified by our QA system, we offer 6 months guarantee period after shipping. It supplies only under the right application of the user, We make no assurance while improper operation.