



Open Loop Hall Current Sensor

Specification

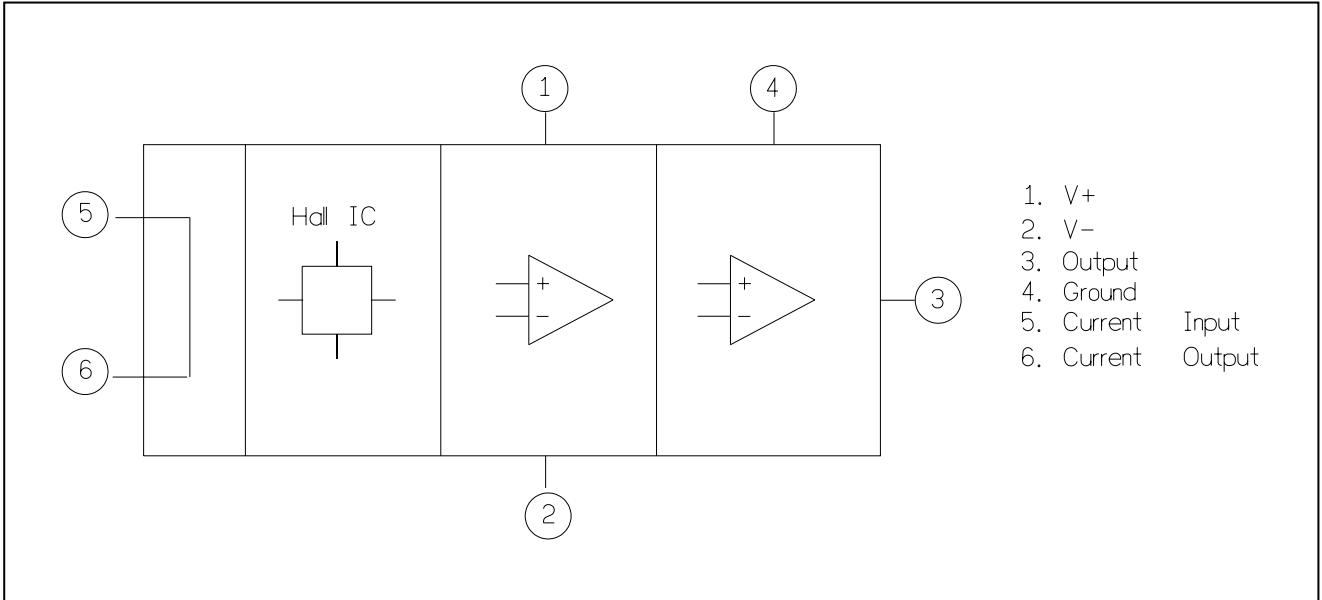
Rohs Compliant

Part Name	CTS0500	CTS0750	CTS1000	CTS2000	CTS3000	CTS4000
額定輸入電流(DC) Rated Input Current	50A	75A	100A	200A	300A	400A
測量電流範圍(DC) MAX Measure Range	0~±150A	0~±225A	0~±300A	0~±600A	0~±600A	0~±600A
電源電壓 Supply Voltage	±15V (±5%)					
消耗電流 Current Consumption	±20mA					
額定輸出電壓 Rated Output Voltage	4V ±1% (RL= 10K)					
零電流失調 Offset Current	< ±40mV (Ir=0)					
輸出溫漂 Output Thermal drift	< ±0.03%/ (RL=10K)					
零點溫漂 Thermal drift of "0" point	±1mv/					
回應時間 Response Time	3µs					
線性誤差 Linearity	±1%					
磁滯誤差 Magnetic Retardant	±25mV (Ir 0)					
絕緣強度 Insulation Intensity	2.5KV/50(60)HZ/1min					
工作溫度 Operation Temperature	-10 +80					
儲存溫度 Stocking Temperature	-20 +85					

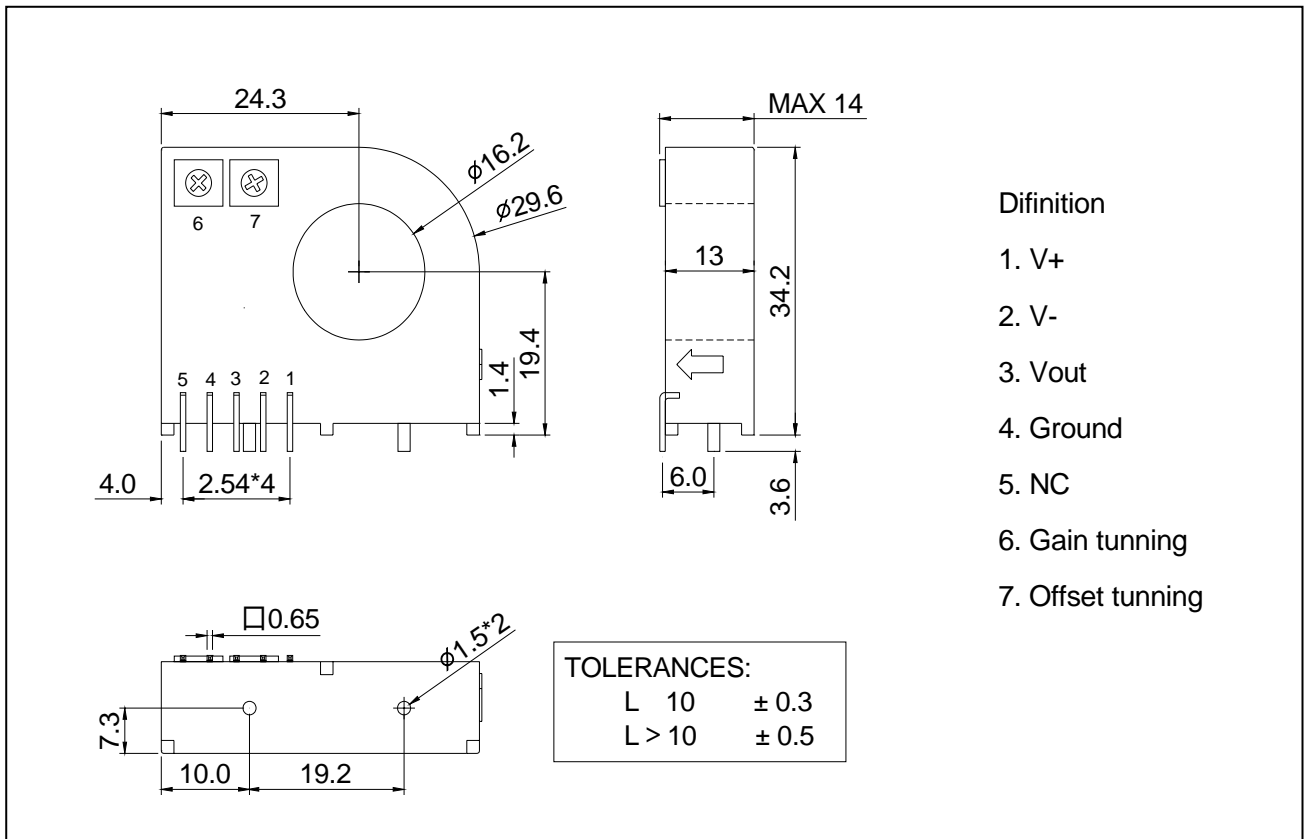


Rohs Compliant

FUNCTIONAL BLOCK DIAGRAM



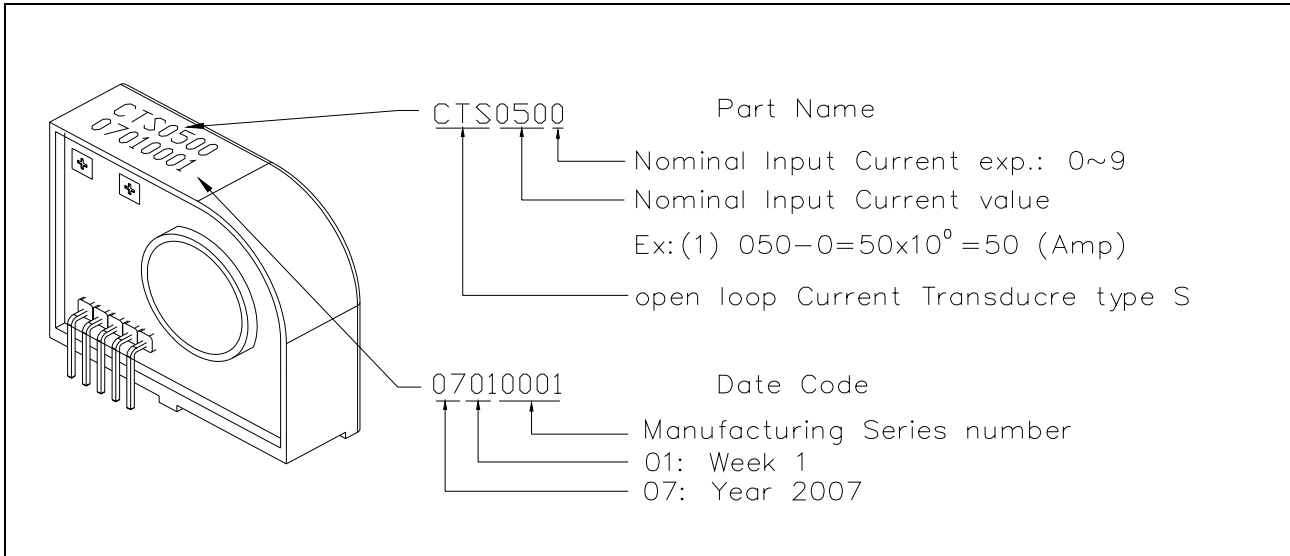
PIN DIFINITION



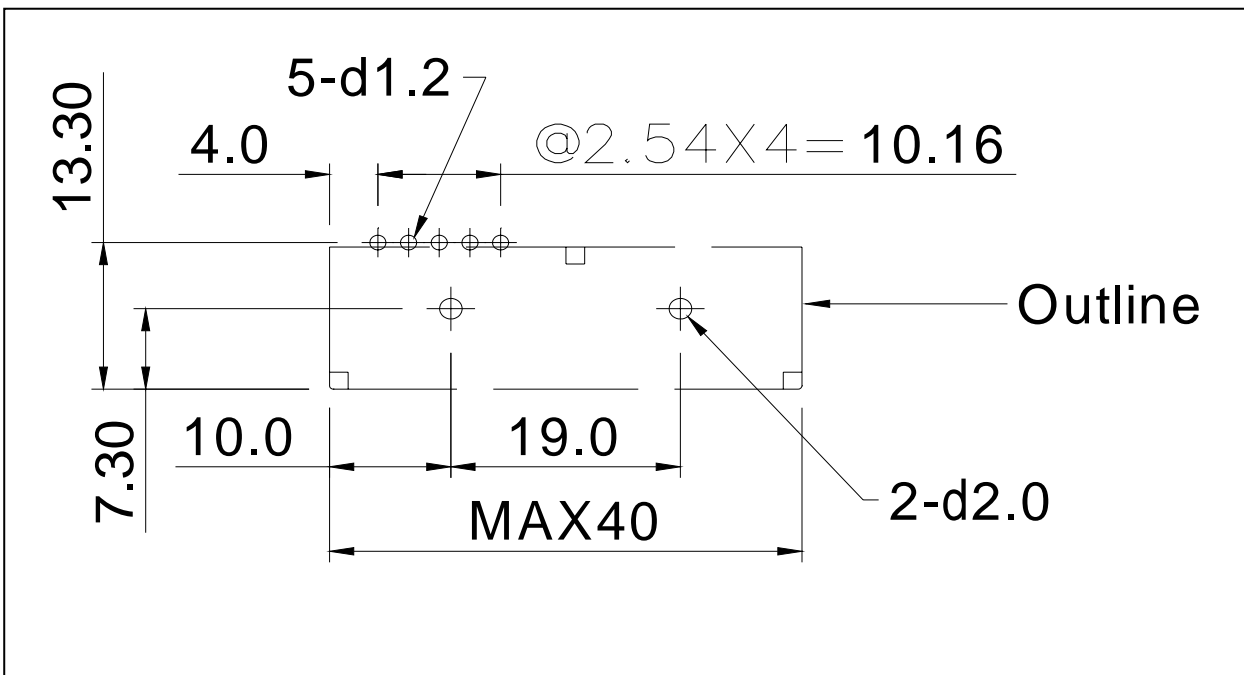


Marking & Order Information

Rohs Compliant



Layout recommend (tolerance:±0.5)



NOTE :

1. For the purpose of quality innovation, we will change circuit, layout and even component without notice. However we assure all the performance is in accord with this data sheets' specification.
2. Our product is been qualified by our QA system, we offer 6 months guarantee period after shipping.. It supplies only under the right application of the user, We make no assurance while improper operation.
3. Measure Currents other than specified are also available.