



AC INPUT LED DRIVER
交流電壓 LED 驅動器

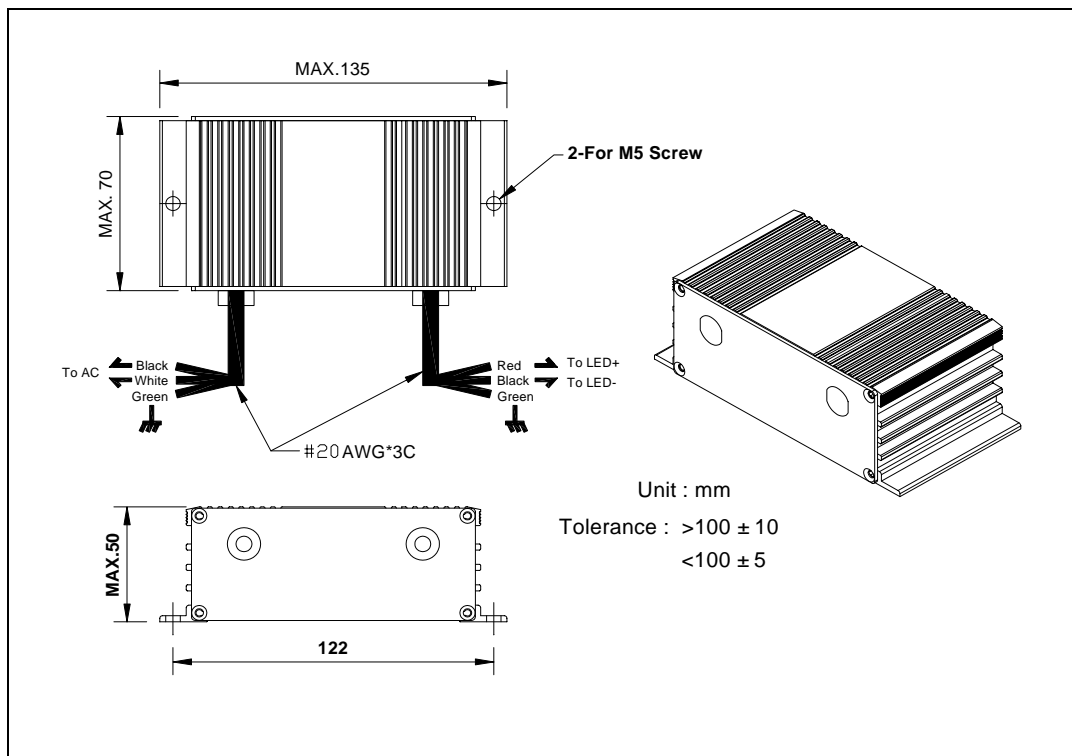
A. Input Data: (left side)

- AC Input Range : 90~264Vac
- Max. Input Current : 0.5A
- Frequency : 47~63Hz
- AC Inrush Current : cold start 36A at 220Vac
- Efficiency : min. 75%

B. Driver Data: (right side)

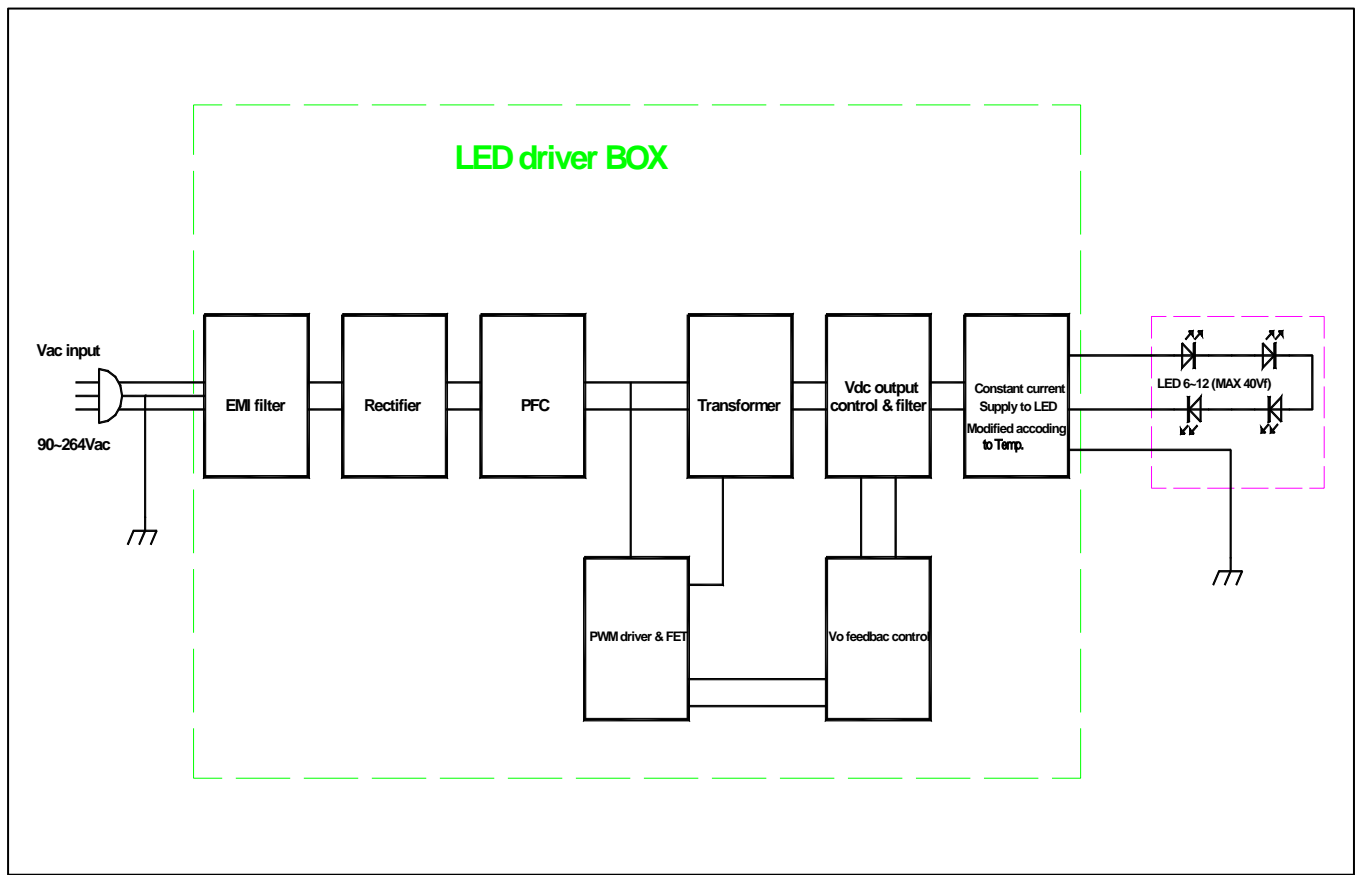
1. Min. LED series Voltage(each string) $V_{min}=:$ 20V
MAX. LED series Voltage(each string) $V_{max}=:$ 40V
EX: LED $V_f=3.5$ /each, $V_{in}=220$ Vac,
Min. LED series number= $20/3.5=6$
MAX. LED series number= $40/3.5=11$ pcs.
- 2.LED driver Current : 700mA(Average)
3. Temperatrue protect (LED): Automatic
4. Output open protecting : Automatic
5. Operation temperature : -10 ~40
6. Storage temperature : -10 ~85

C. Outline dimension:





D. Function block:



E. NOTE :

1. Our product is been qualified by our QA system, we offer 3 months guarantee period after shipping. It supplies only under the right application of the user, we make no assurance while improper operation.
2. Do not series LED over than SPEC. shown.
3. Do not power on this driver before check the whole wiring diagram.
4. Input & Output connector can be changed according to customer's specification.

F. Referent Picture

