

Features

- Single-turn cermet/open-frame
- Rotor design compatible with pick and place and automatic adjustment equipment
- 2 mm size meets EIA/EIAJ standard trimmer footprint
- RoHS compliant* - see [processing information](#) on RoHS compliant surface mount trimmers
- For trimmer applications/processing guidelines, [click here](#)

TC42 - 2 mm SMD Trimpot® Trimming Potentiometer

Electrical Characteristics

Standard Resistance Range 100 ohms to 1 megohm
 (see standard resistance table)
 Resistance Tolerance ±25 % std.
 Absolute Minimum Resistance
 ≤ 1K Ohms 20 ohms max.
 > 1K Ohms 2 % max. of TR
 Contact Resistance Variation .. 5 % max.
 Resolution Essentially infinite
 Adjustment Angle 240 ° ±20 °

Environmental Characteristics

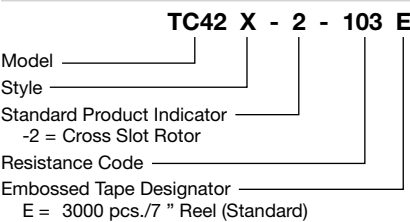
Power Rating (50 VDC max.)
 70 °C 0.1 watt
 Temperature Range ... -40 °C to +100 °C
 Temperature Coefficient ... ±250 ppm/°C
 Humidity 95 % RH
 TRS Max. ±5 %
 Load Life
@70 °C rated power 1000 hours
 TRS ±5 %
 Rotational Cycling 20 cycles
 TRS ±10 %

Physical Characteristics

Torque..... 0.49 - 7.84 mN-m max.
 Mechanical Angle... Continuous rotation
 Marking..... Part marking code
 Standard Packaging.. 3000 pcs./7 " reel
 Adjustment Tool..... H-90

Aqueous cleaning not recommended.

How To Order



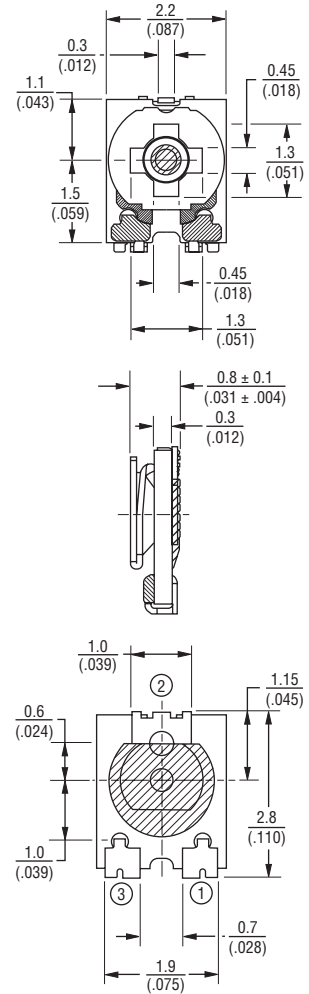
Standard Resistance Table

Resistance (Ohms)	Resistance Code
100	101
200	201
500	501
1,000	102
2,000	202
5,000	502
10,000	103
20,000	203
50,000	503
100,000	104
200,000	204
500,000	504
1,000,000	105

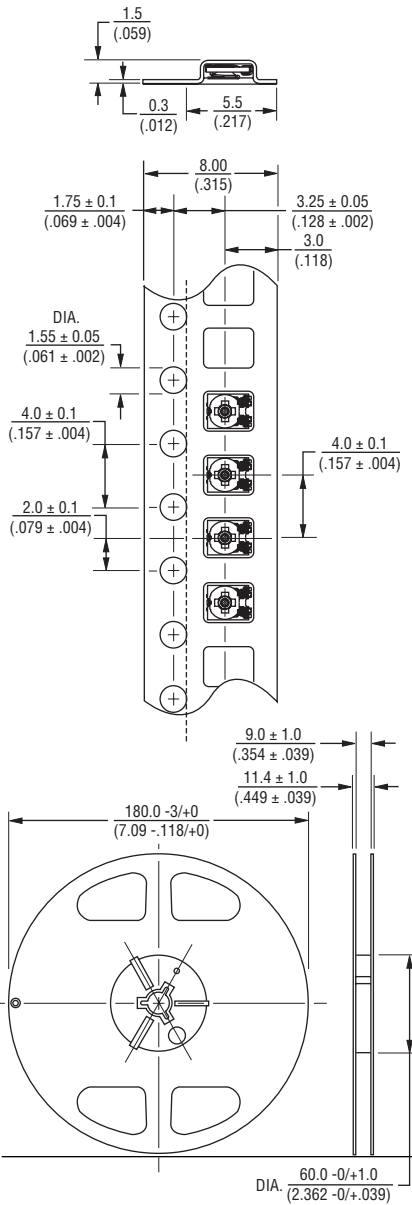
Popular distribution values listed in boldface.

*RoHS Directive 2002/95/EC Jan 27, 2003 including Annex.
 "Trimpot" is a registered trademark of Bourns, Inc.
 Specifications are subject to change without notice.
 Customers should verify actual device performance in their specific applications.

Product Dimensions



Packaging Specifications



Recommended Land Pattern

